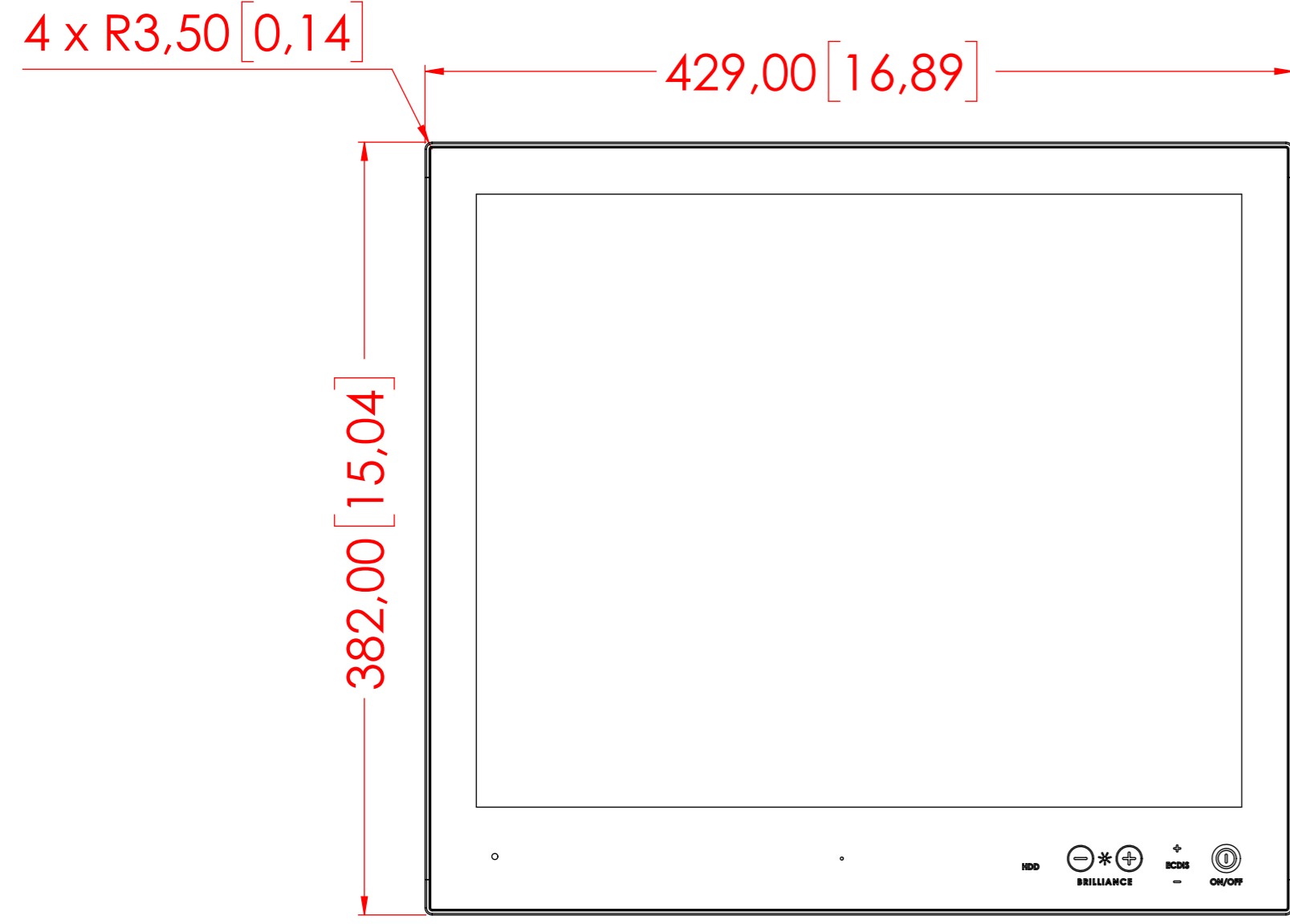
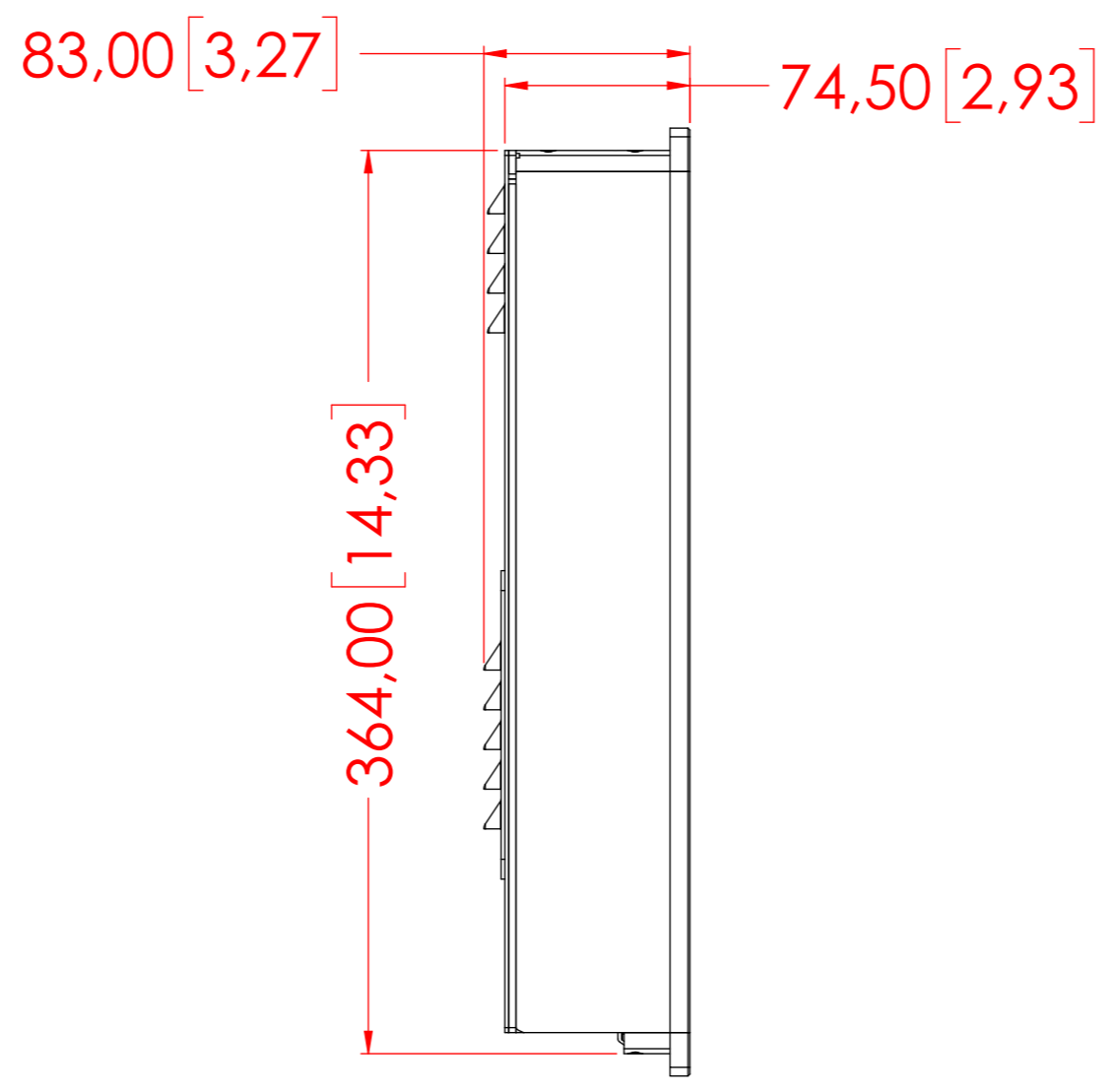


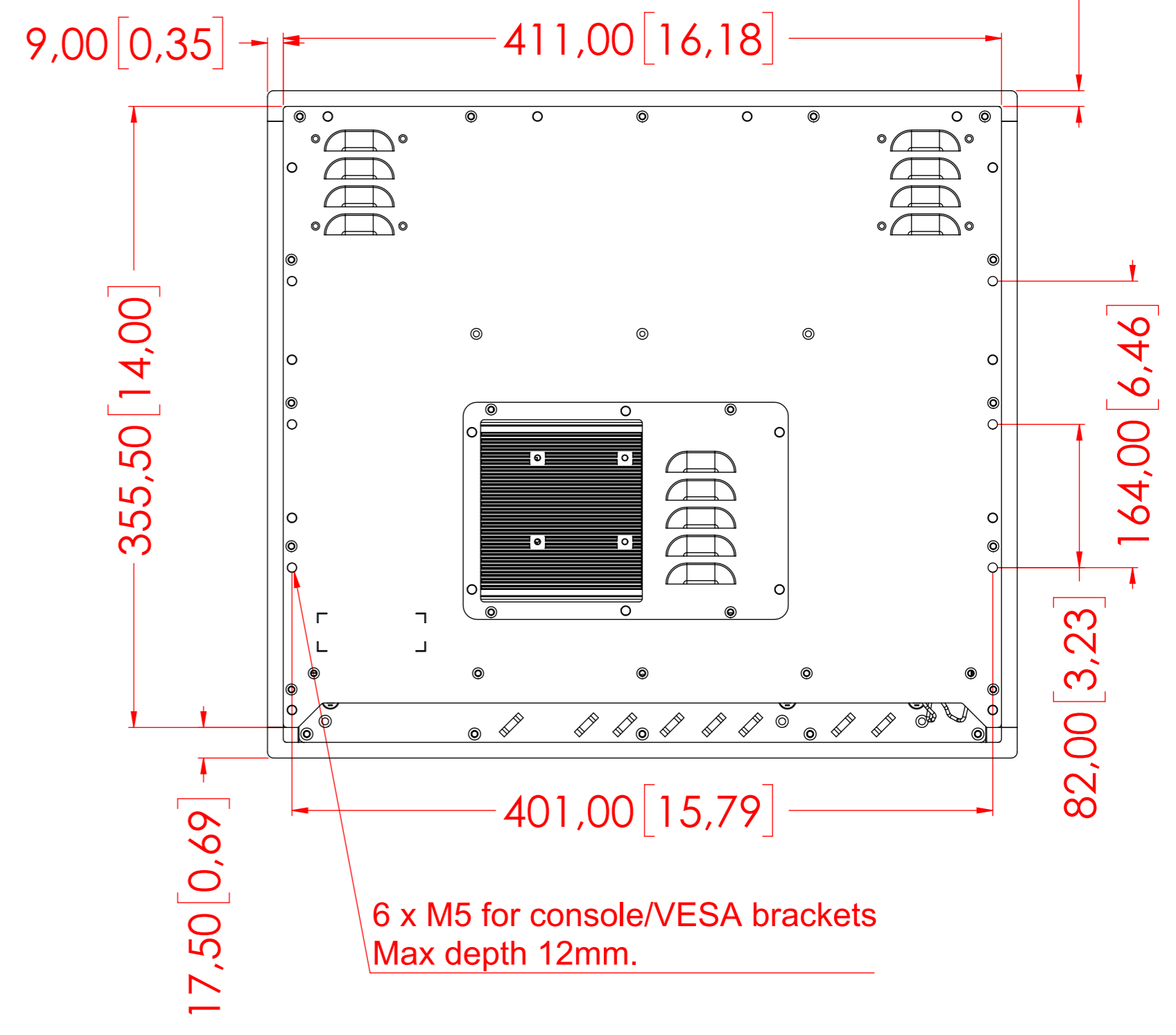
FRONT VIEW



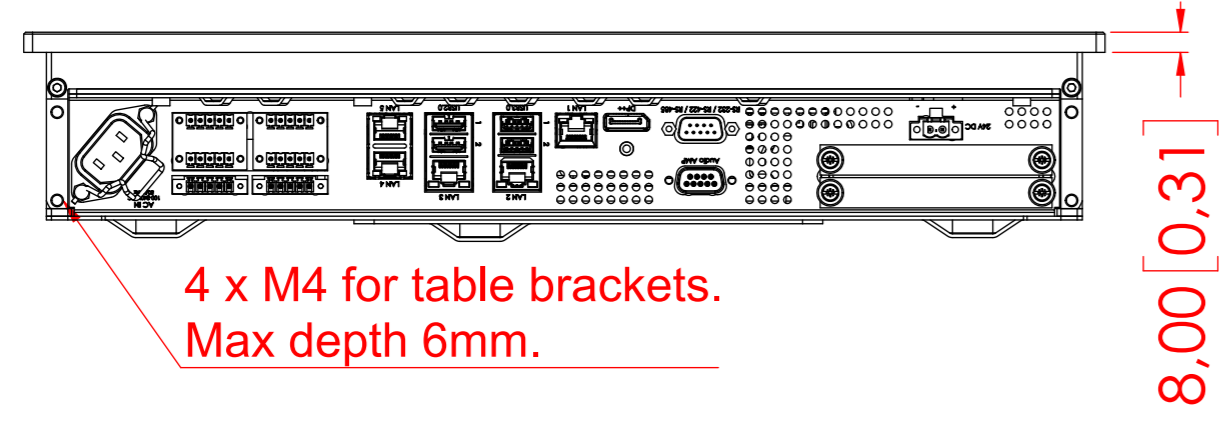
SIDE VIEW



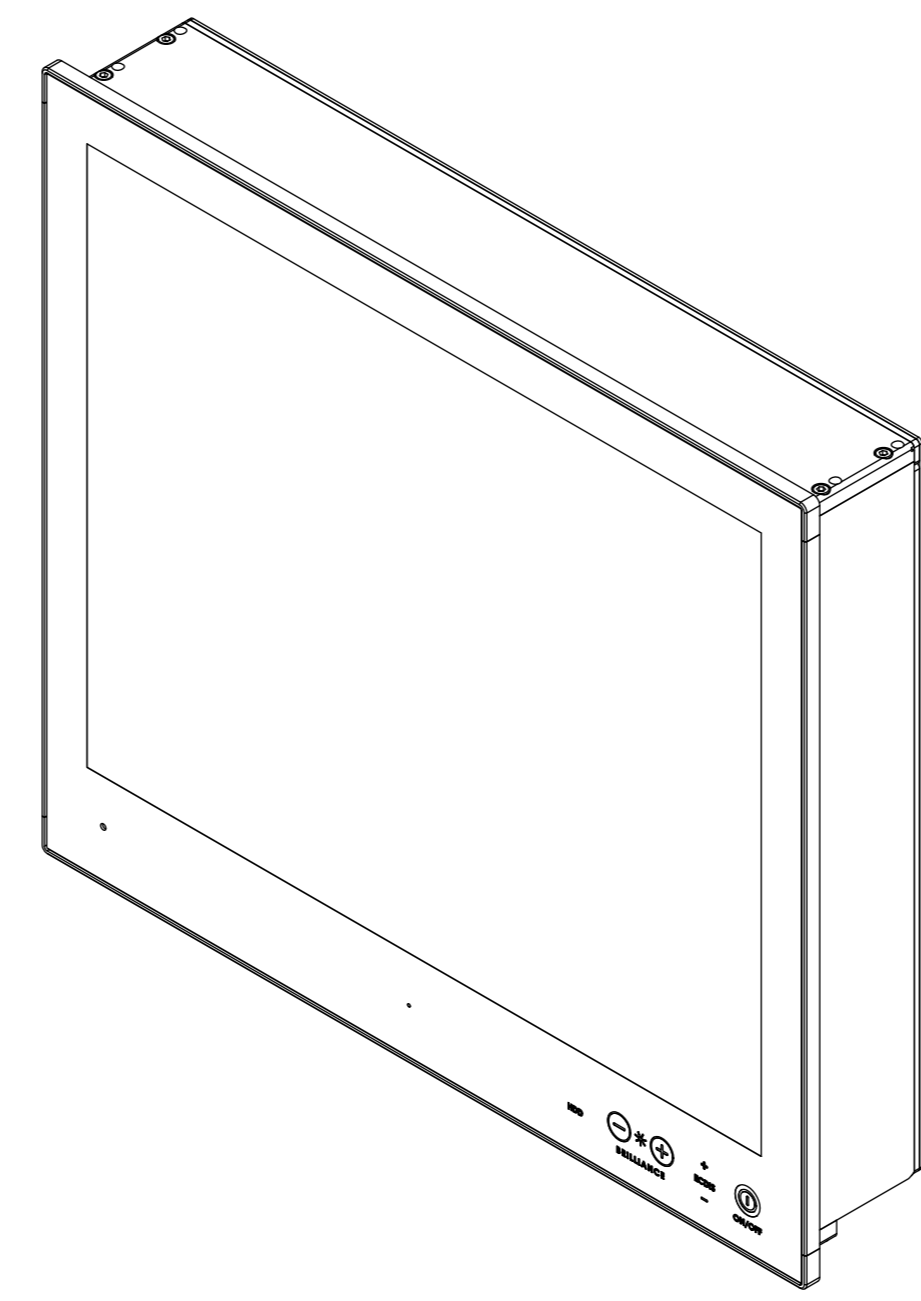
BACK VIEW



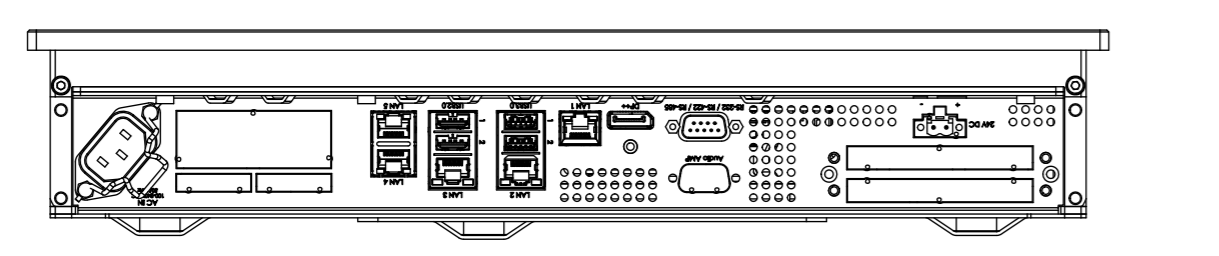
BOTTOM VIEW (w/ Factory Option)



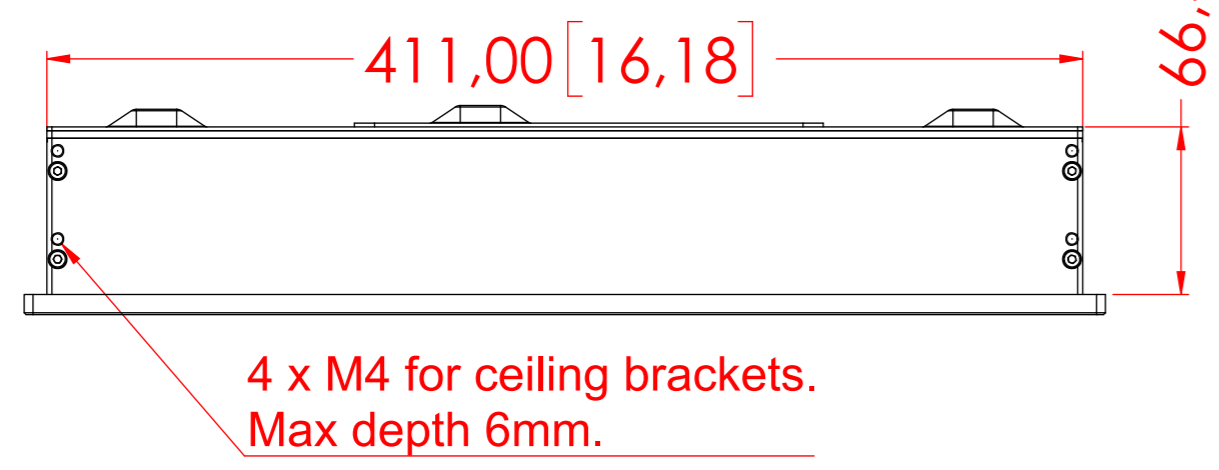
DIMETRIC VIEW



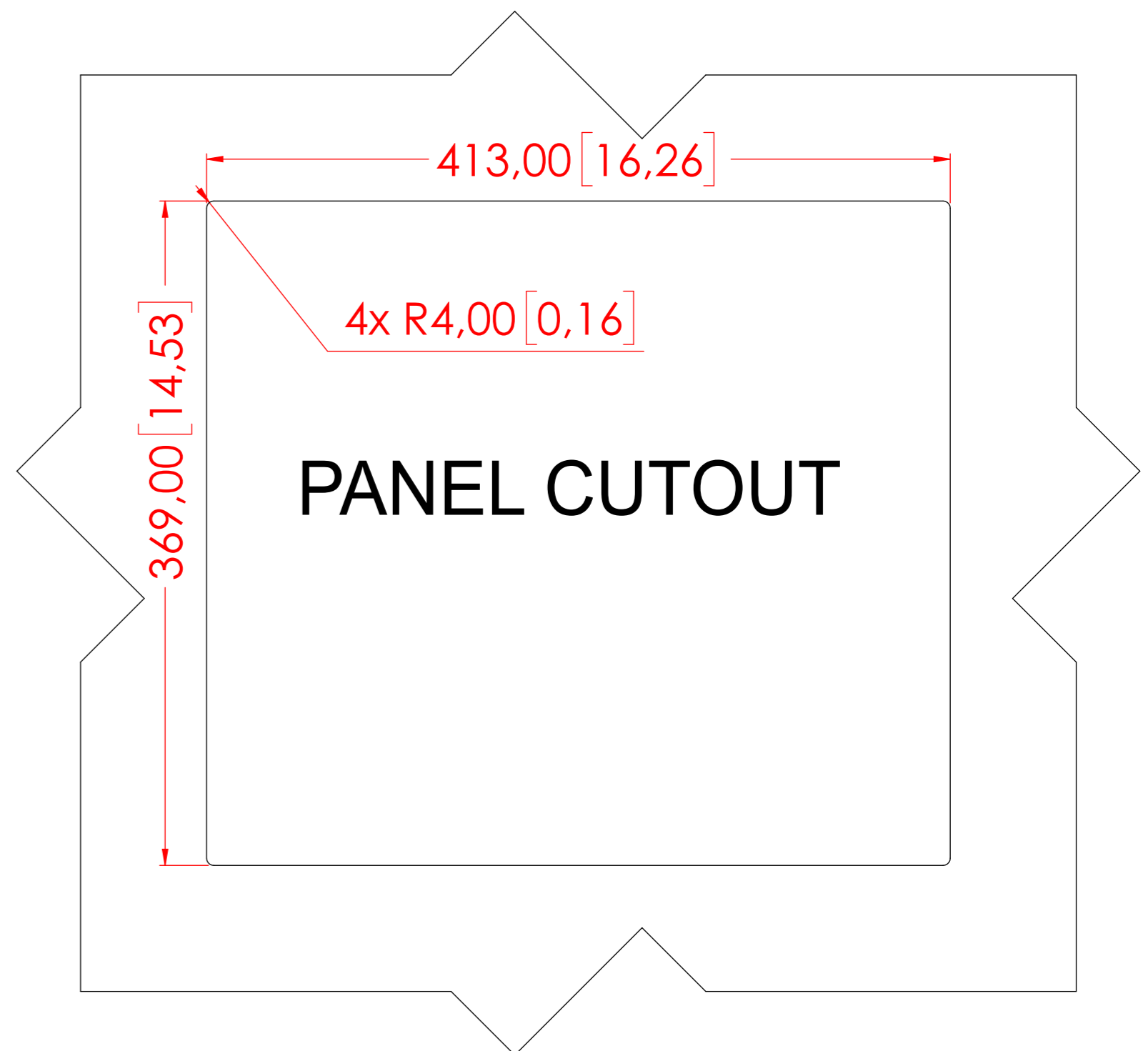
BOTTOM VIEW (w/o Factory Option)



TOP VIEW



PANEL CUTOUT



Units: mm [inches]

SALES DRAWING HD 19T22 MMC-Mxx-xxxxxx
 shown in this drawing, but measurements apply for all HD 19T22 MxC-Mxx-xxxxxx models

Creation date / by:	22.06.16 / 7258	Projection:	A1	HATTELAND TECHNOLOGY an EMBRON Company
Last rev. date / by:	/		Scale: 1:3	Approved by: _____
Hatteland Technology AS Eikeskogvegen 52 N-5570 Akedal			Tolerance ISO 2768-mK	Revision: 01 Drawing number: A010516